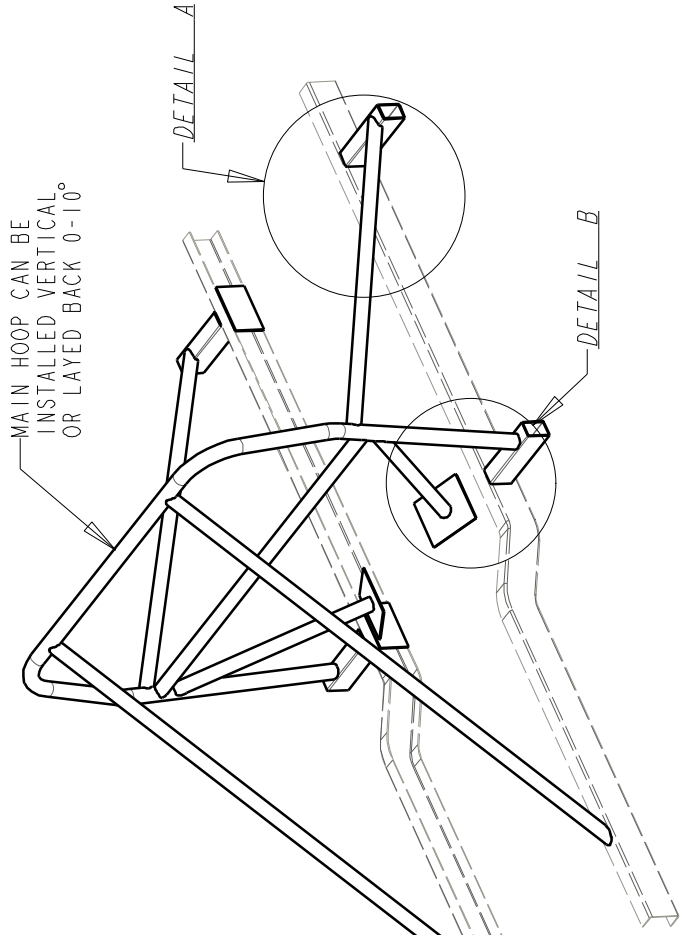


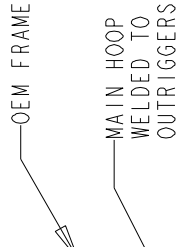
**TYPICAL INSTALLATION OF  
8 & 10 POINT ROLL BARS FOR  
TRUCKS WITH FULL FRAMES  
& OUTRIGGERS**



BACK BARS ARE WELDED TO TOP OF REAR FRAME RAILS

LATERAL SUPPORT TUBES WELD TO FRAME OR FLOOR PADS

1/8" 6" X 6" FLOOR PADS WELDED TO SHEET METAL FLOOR OR TRANS TUNNEL



OUTRIGGERS WELDED TO FRAME

OUTRIGGERS WELDED TO FRAME

