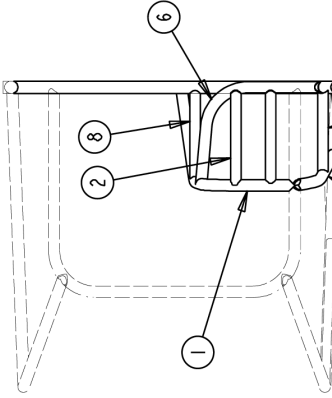
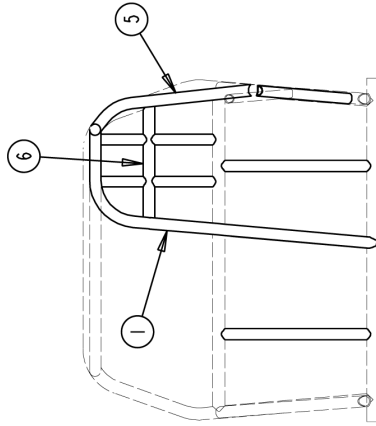


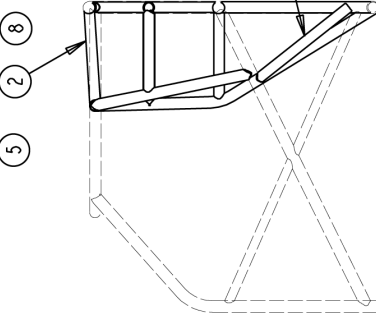
BILL OF MATERIALS		
ITEM	QTY	DESCRIPTION
1	1	1 5/8"Ø BENT FUNNY CAR CAGE FRONT HOOP
2	2	1 1/2"Ø x 18" TOP HELMET TUBE
3	2	1 1/2"Ø x 32" VERTICAL BRACE
4	2	1 1/2"Ø x 25" REAR HELMET TUBE
5	1	1 5/8"Ø BENT OUTSIDE HELMET TUBE
6	1	1 5/8"Ø x BENT HORZ HELMET TUBE
7	1	1 1/2"Ø x 36" KIDNEY TUBE
8	2	1 1/2"Ø x 24" HORZ SIDE BAR



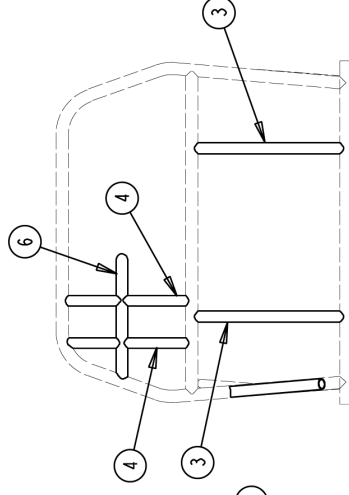
ISOMETRIC VIEW
SCALE 0.046



FRONT VIEW
SOME TUBES NOT SHOWN



SLIDE VIEW
SOME TUBES NOT SHOWN



REAR VIEW
SOME TUBES NOT SHOWN

NOTE:
THE MOST IMPORTANT REQUIREMENT FOR A SUCCESSFUL INSTALLATION OF THIS S&W CHASSIS COMPONENT IS THAT YOU TAKE YOUR TIME AND USE COMMON SENSE. CHECK AND RECHECK ALL MEASUREMENTS BEFORE CUTTING AND WELDING. IF DURING THE INSTALLATION YOU HAVE ANY QUESTIONS - STOP - AND CALL THE OUR TECH LINE AT 610-948-7303. WE WILL EXPLAIN IN MORE DETAIL ANY INSTALLATION STEP.

THIS ROLL CAGE IS DESIGNED SPECIFICALLY FOR DRAG RACING. S & W RECOMMENDS CHECKING WITH THE APPROPRIATE SANCTIONING BODY FOR INSTALLATION, AND WELDING REQUIREMENTS AND GENERAL SPECIFICATIONS.

REV	DATE	DRN	DESCRIPTION
A	09OCT07	JEB	ADDED KIDNEY TUBE
0	29DEC00	JEB	INITIAL RELEASE
TOLERANCES: 1/64			
2 DECIMALS ±0.01			
3 DECIMALS ±0.005			
ANGLES ±1°			
MATERIAL:			PART No.:
S & W RACE CARS			DRW No.:
11 MEMNONITE CHURCH RD			
SPRING CITY, PA 19475			

This drawing shows the parts and their suggested location for part # 13-362 Funny Car Cage Conversion (mild steel) and for part # 13-363 Funny Car Cage Conversion (chrome moly)

Make sure all tubes are installed to your satisfaction BEFORE finish welding!!