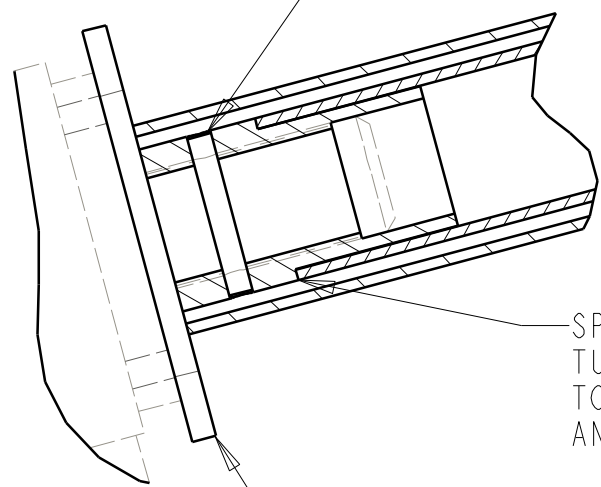


26 SPRING PIN
DRILL 1/8" HOLE THRU
BUSHING & STEERING
BOX SHAFT & INSERT

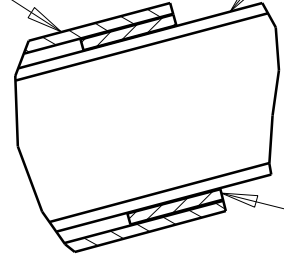


SPLINED BUSHING
TURN DOWN ONE END
TO FIT INSIDE COLUMN
AND WELD TO COLUMN

18 MNTG FLANGE
BOLT TO BOX & WELD
TO SUPPORT TUBE

DETAIL A
SCALE 1.000

COLUMN SUPPORT TUBE
STEERING COLUMN



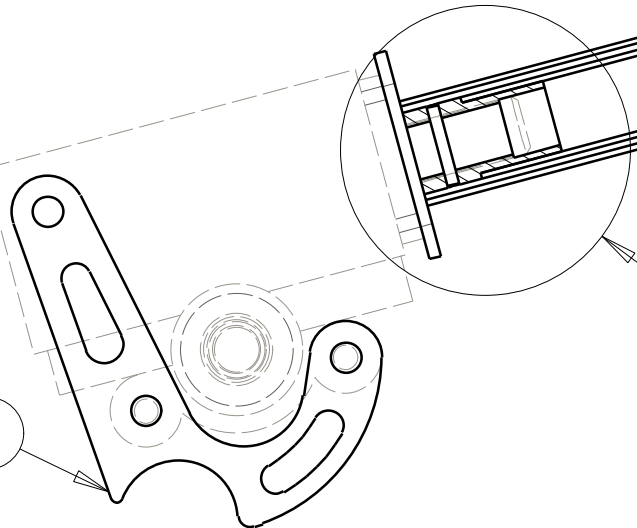
7 BUSHING
WELD TO OUTER TUBE
COLUMN MUST BE FREE
TO ROTATE INSIDE OF
BUSHING

DETAIL B
SCALE 1.000

6 OUTER TUBE
(CUT TO LENGTH
APPRX 3/4 LENGTH
OF COLUMN)
WELD TO BOX
MOUNTING PLATE

16 STEERING BOX

11 STEERING BOX
MNTG BRKT WELD
TO CROSSMEMBER



SEE DETAIL A

SEE
DETAIL B

24 25

19 STEERING WHEEL
MOUNTING TAB
WELD TO COLUMN

5 STEERING COLUMN
(CUT TO LENGTH)
WELD TO SPLINED
BUSHING & WHEEL
MNTG TAB

17

0	12SEP05	JEB	INITIAL RELEASE
REV	DATE	DRN	DESCRIPTION
TOLERANCES: FRACTIONS ±1/32 2 PLC DEC ±0.01 3 PLC DEC ±0.005 ANGLES ±0.5°			STEERING COLUMN DETAIL FRT ENG DRAGSTER
MAT'L:			
PART No: 35-391_COLUMN			DRW No: 35-391 - 3

S & W RACE CARS
11 MENNONITE CHURCH RD
SPRING CITY, PA 19475